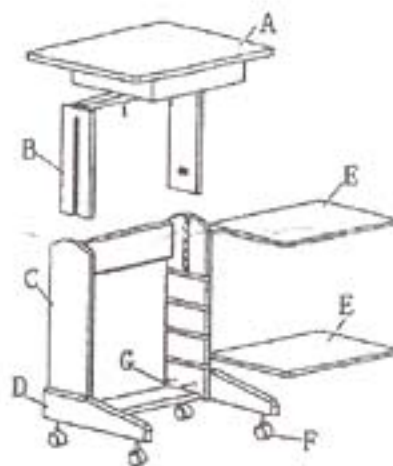


Thanks for purchasing the **Laptop Desk Microstation**. This desk is designed to meet your personal needs. The height and shelves are adjustable and the entire unit can be moved to any desired place in your home or office. Note the shelves and desktop are not intended to hold more than 10 lbs. To clean, wipe with a damp cloth.



**PARTS LIST**

- A. Desktop.....1 pc
- B. Body Extension.....1 pc
- C. Body Frame.....1 pc
- D. Base.....2 pcs
- E. Adjustable Shelves.....2 pcs
- F. Casters.....4 pcs
- G. Metal Screws.....7 pcs
- H. Wood Dowels.....4 pcs



**ASSEMBLY INSTRUCTIONS**

1. Insert 2 Casters (F) into the holes on the bottom of each Base (D). Secure the Bases (D) to the Body Frame (C) using 4 Metal Screws (G) and 4 Wood Dowels (H). See Diagram-1.
2. Place Desktop (A) upside down on a clean smooth surface. Attach the Body Extension (B) to the Desktop (A) by tightening 3 Metal Screws (G) in the predrilled holes of Desktop (A). See Diagram-2.
3. Attach the assembled unit from step 2 to the Body Frame (C) by pulling out both knobs and aligning the grooves on the Body Extension (B) to fit the metal guides on the Body Frame (C). When the Body Extension (B) slides to desired height, release the knobs. You should hear "click" which indicates that the Body Extension (B) is locked in position. See Diagram-3.
4. Finally insert the Adjustable Shelves (E) into the desired grooves of Body Frame (C). See Diagram-3.

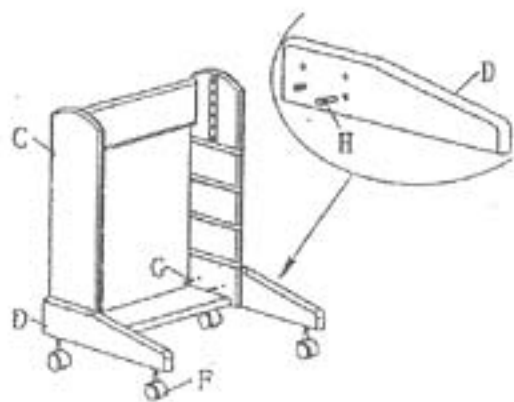


Diagram-1

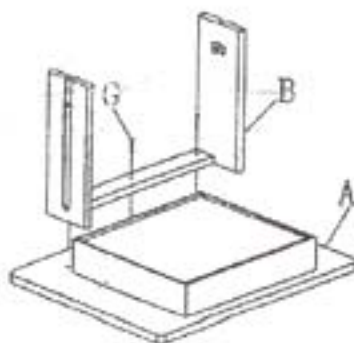


Diagram-2

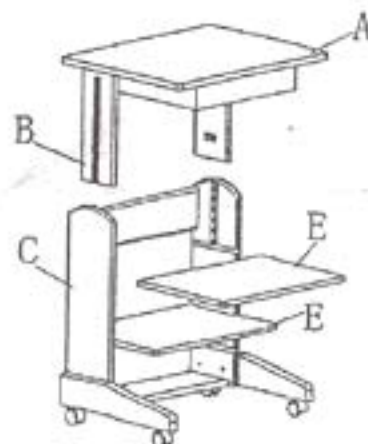


Diagram-3