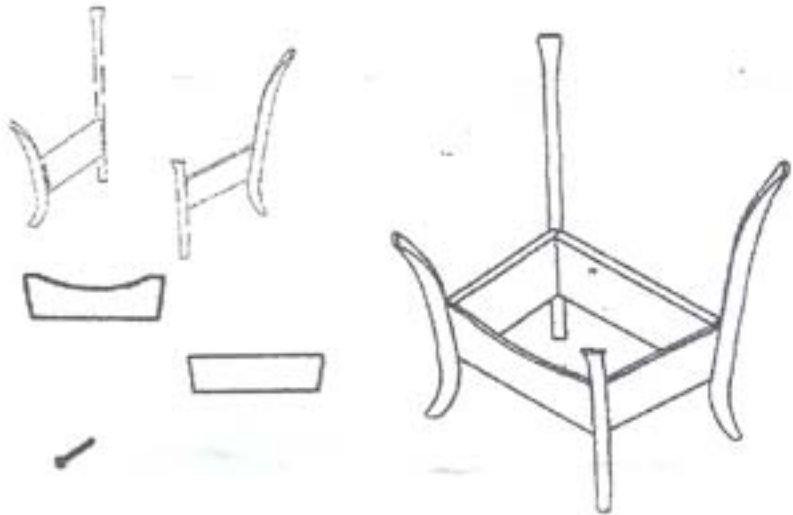


Classic Comfort Chair

Item #CC-01 MG

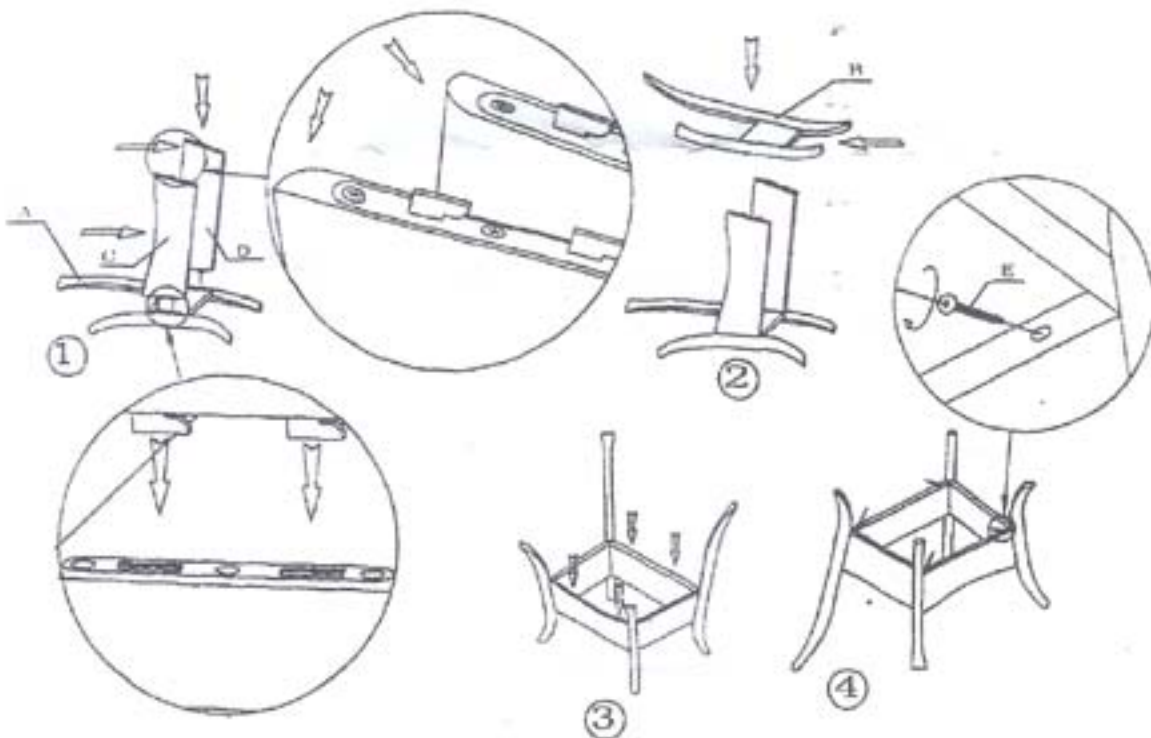
PARTS LIST

- A) Left Side Frame..... 1PC
- B) Right Side Frame..... 1PC
- C) Front Panel (curved top)..... 1PC
- D) Back Panel..... 1PC
- E) Screw..... 4PCS



ASSEMBLY INSTRUCTION

- 1) Place Left Side Frame (A) on a flat surface. Attach Front Panel (C) and Back Panel (D) to Left Side Frame (A) as shown in diagram (1). Make sure the top slanted side of Front Panel (C) and Back Panel (D) is facing inside – see enlarged area.
- 2) Attach Right Side Frame (B) to Front Panel (C) and Back Panel (D) as shown in diagram (2).
- 3) Place the assembly as shown in diagram (3), push the areas downward to secure the assembly.
- 4) Turn the assembly over and attach 4 screws (E) as shown in diagram (4).



To install cushion:

Place the pockets of the cushion over the tops of the chair legs, making sure the flared leg ends fully enter these pockets.

Note: the wide end of the cushion should be placed over the back legs.